

FUJITSU Component Wireless

Mesh Units: FWM8BLZ08A / FWM8BLZ08T

Mesh Multi-Sensor Units: FWM8BLZ08Y / FWM8BLZ08C

Overview

Endurance line of wireless Mesh units and Mesh sensor units featuring built-in Wirepas Massive (Wireless Mesh) network connectivity.

Features

- Powered by Wirepas Massive networks for various industrial IoT applications
- Flexible power source options: 4 AA batteries or USB-C. 5 year battery life with AA batteries when it is used in Anchor mode (FWM8BLZ08A). FWM8BLZ08T has wake-up/sleep function for further energy savings.
- Detachable installation bracket makes easy installation and maintenance. Screw holes for the secure mount on a wall, ceiling, or pillar. Double-side adhesive tape mount possible.
- Water resistant and dustproof: All devices are IP65 rated. FWM8BLZ08A/T/Y are IP65 rated only when battery powered.
- White color is suitable for hospitals, offices, and schools. Each unit has a unique Japanese traditional motif to identify the function.

 **Wirepas**
RoHS compliant


Applications

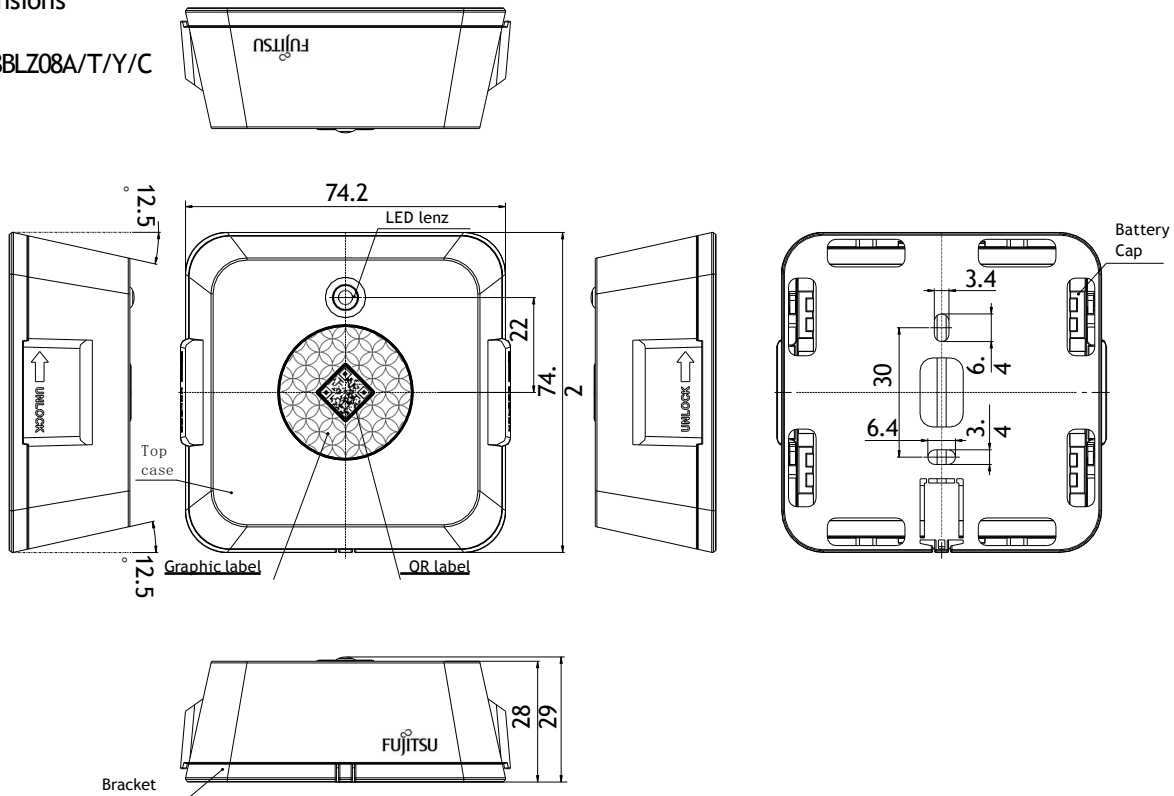
Asset management, Sensor network, Smart buildings, Smart factory, Smart city.

Specifications

Item	Specifications			
Type	Mesh unit (Anchor)	Mesh unit (Tag)	Mesh Multi-sensor unit	Mesh CO2+Multi-sensor unit
Part number	FWM8BLZ08A	FWM8BLZ08T	FWM8BLZ08Y	FWM8BLZ08C
Mesh technology	Wirepas Massive			
Antenna	Embedded (pattern antenna)			
Transmit power	+4dBm max. (adjusted automatically)			
IC	Nordic Semiconductor nRF52832			
Power supply	4x AA batteries (Battery voltage notification) or USB-C			USB-C
Operating temp.	-20°C to +60°C			-10°C to +60°C
Sensor	3-axis acceleration (Used for wake-up function. Data collection capability is not available.)		temperature, humidity, barometric pressure, illuminance, sound level, 3-axis acceleration,	CO2, temperature, humidity, barometric pressure, illuminance, sound level, 3-axis acceleration
Water resistant	AA battery: IP65, USB power supply: no IP			IP65
Dimensions / weight	74.2 x 74.2 x 28.0 mm / 75g (without battery)			74.2 x 74.2 x 28.0 mm / 65g
Certifications	FCC, ISED, CE, Radio Act Japan, RCM			

■ Dimensions

FWM8BLZ08A/T/Y/C



Unit: mm

■ Reference - enlargement of Japanese traditional motif



FWM8BLZ08A



FWM8BLZ08T



FWM8BLZ08Y



FWM8BLZ08C

Contact

Japan
 FUJITSU COMPONENT LIMITED
 Shinagawa Seaside Park Tower
 12-4, Higashi-shinagawa 4-chome,
 Tokyo 140 0002, Japan
 Tel: (81-3) 3450-1682
 Fax: (81-3) 3474-2385
 Email: fcl-contact@cs.jp.fujitsu.com
 Web: www.fcl.fujitsu.com/products/wireless-modules/

Australia & New Zealand
 Symbiotech
 696 Bourke st, Melbourne NSW 3000
 20 Poplar St, Sydney NSW 2010
 Email: gday@symbiotech.com.au
 Web: www.symbiotech.com/fujitsu



Copyright

All trademarks or registered trademarks are the property of their respective owners. Fujitsu Components or its affiliates do not warrant that the content of datasheet is error free. In a continuing effort to improve our products Fujitsu Components or its affiliates reserve the right to change specifications/datasheets without prior notice. Copyright ©2021 Fujitsu Components All rights reserved. Revised Sept 3, 2021.